



CAVEX[®]

German Drive Technology

**Maximum torque within
The minimum of space**



www.cavex-gmbh.com



German Drive Technology

Sizes

Size	Nominal output torque T _{2N}
CPFA 120	5.800 Nm
CPFA 140	10.840 Nm
CPFA 160	15.680 Nm
CPFA 180	23.240 Nm
CPFA 200	33.640 Nm
CPFA 225	53.600 Nm
CPFA 250	70.000 Nm

Advantages in detail

- Proven CAVEX[®]-gearing in combination with the highly efficient planetary gear unit
- ATEX (optionally)
- Extremely compact
- Self-locking (optionally)
- High transmission variance

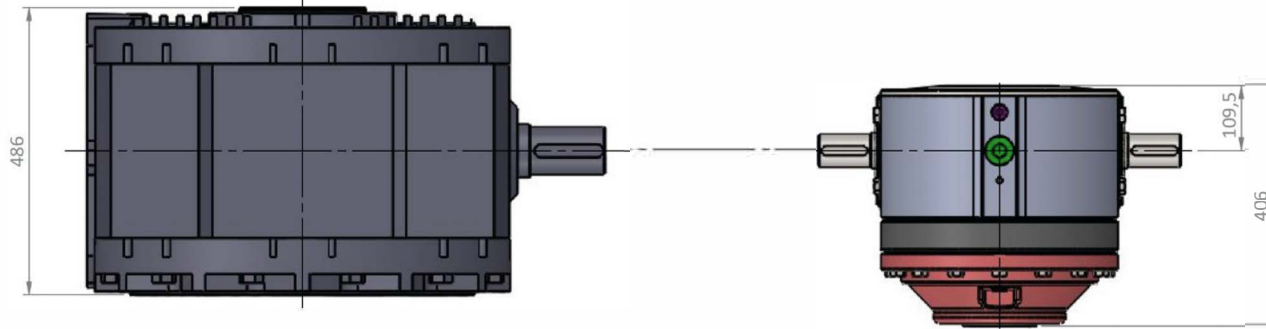


German Drive Technology

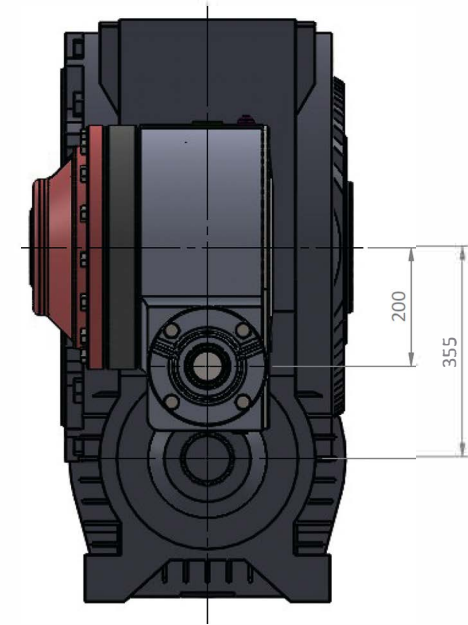
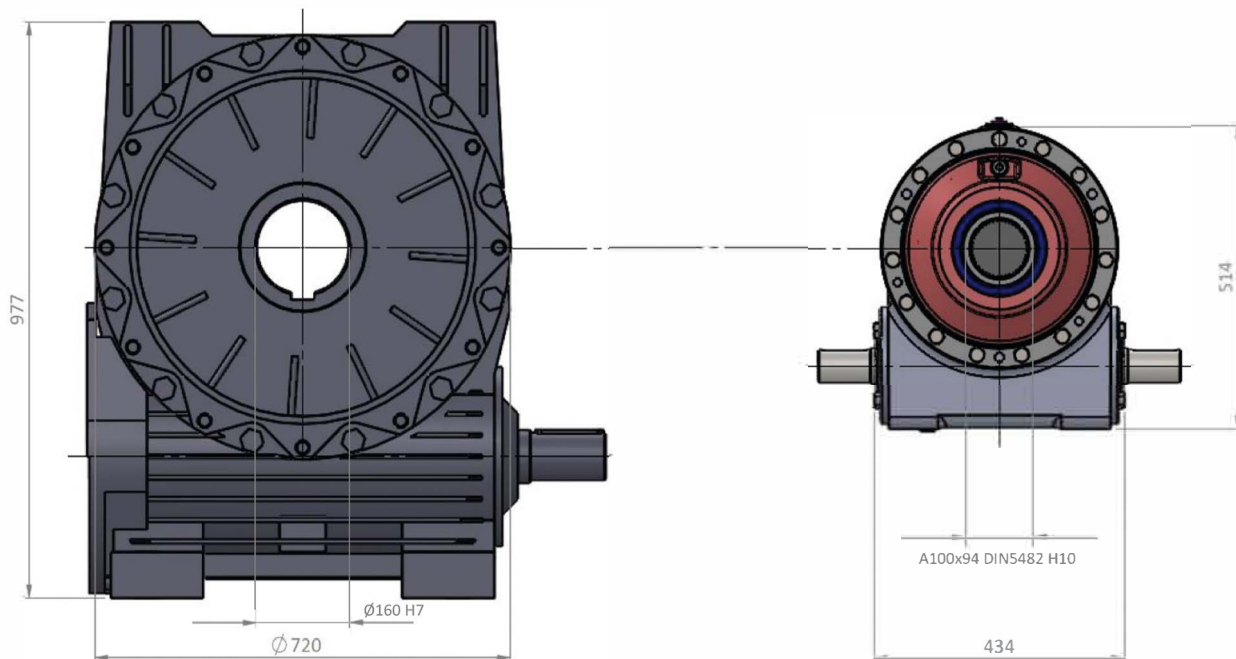
CAVEX[®] planetary gearbox



German Drive Technology



The figure shows the size comparison between CAVEX[®] industry and CAVEX[®] planetary at comparable output torque.



www.cavex-gmbh.com

www.cavex-gmbh.com

www.cavex-gmbh.com

Status: May 2020



**Individual gearbox solutions
witht CAVEX® planetary**

Extremly compact design

Very inexpensive

Excellent efficiency

**If you would like an individual consultation,
then please do not hesitate to contact us!**

**CAVEX GmbH & Co. KG
Tübinger Straße 2
72131 Ofterdingen**

CAVEX®
German Drive Technology

**Tel.: +49 7473 95 546 - 0
Fax: +49 7473 95 546 - 88**

www.cavex-gmbh.com