

Sizes

Size	Nominal output torque T _{2N}
CPFA 120	6.000 Nm
CPFA 140	7.700 Nm
CPFA 160	10.300 Nm
CPFA 180	18.600 Nm
CPFA 200	30.400 Nm
CPFA 225	41.600 Nm
CPFA 250	50.200 Nm

Advantages in detail

- Proven CAVEX[®]-gearing in combination with a highly efficient planetary gear unit
- ATEX (optionally)
- Extremely compact
- Self-locking (optionally)
- High transmission variance

**Individual gearbox solutions
with CAVEX[®]planetary**

Extremely compact design

Very inexpensive

Excellent efficiency

**If you would like an individual consultation,
then please do not hesitate to contact us!**CAVEX GmbH & Co. KG
Tübinger Straße 2
72131 OfterdingenTel.: +49 7473 95 546 - 0
Fax: +49 7473 95 546 - 88**Maximum torque within
the minimum space**

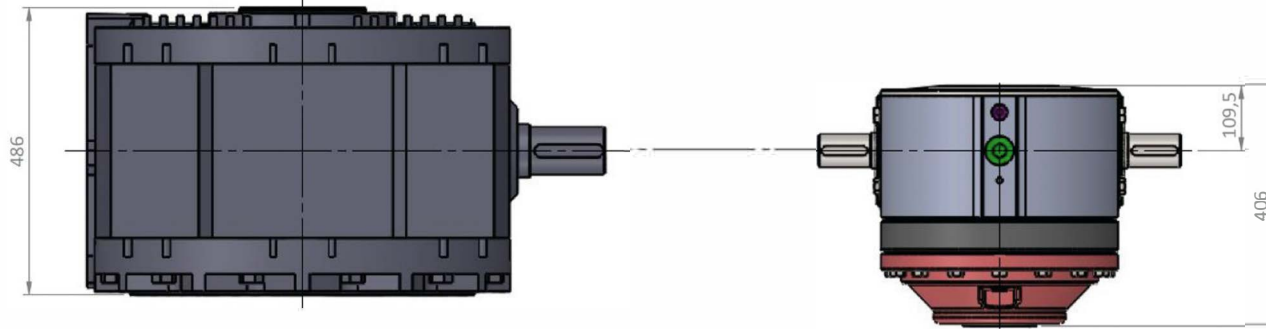


German Drive Technology

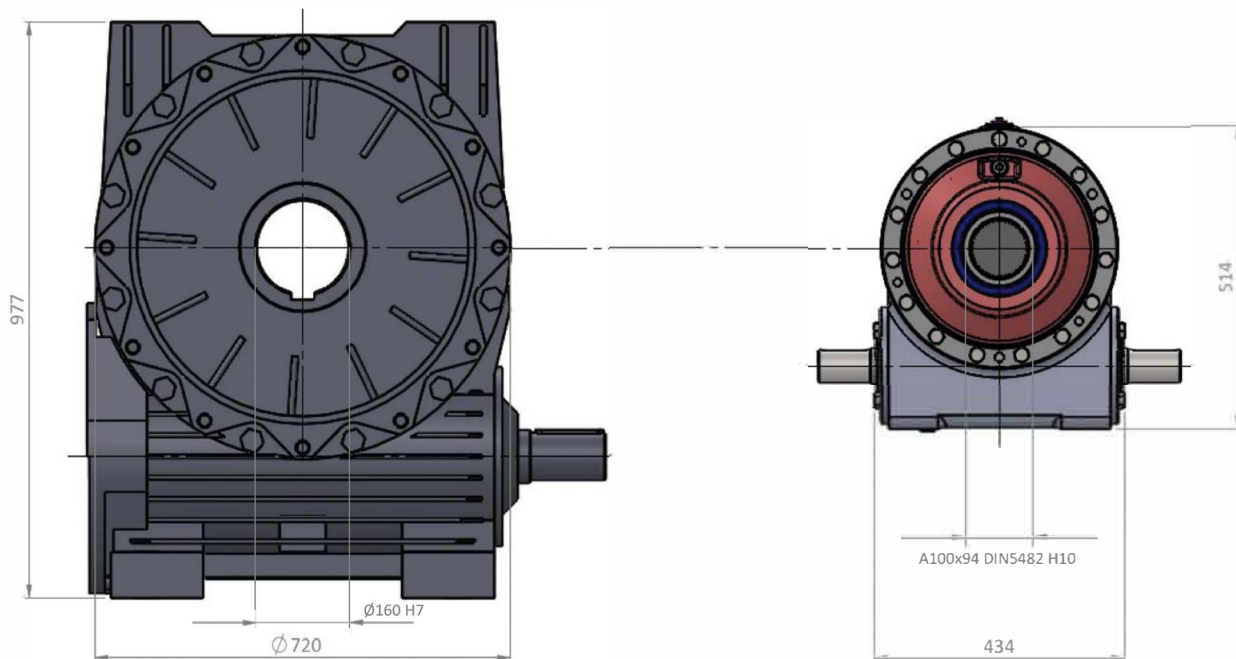
CAVEX[®] planetary gearbox



German Drive Technology



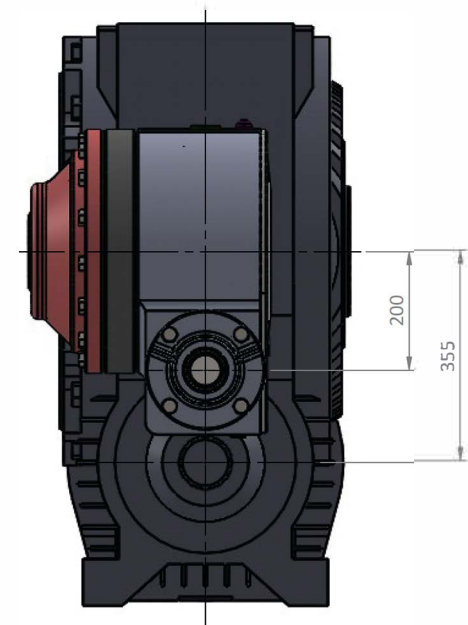
The figure shows the size comparison between CAVEX[®] industry and CAVEX[®] planetary at comparable output torque.



A100x94 DIN5482 H10

www.cavex-gmbh.com

www.cavex-gmbh.com



www.cavex-gmbh.com