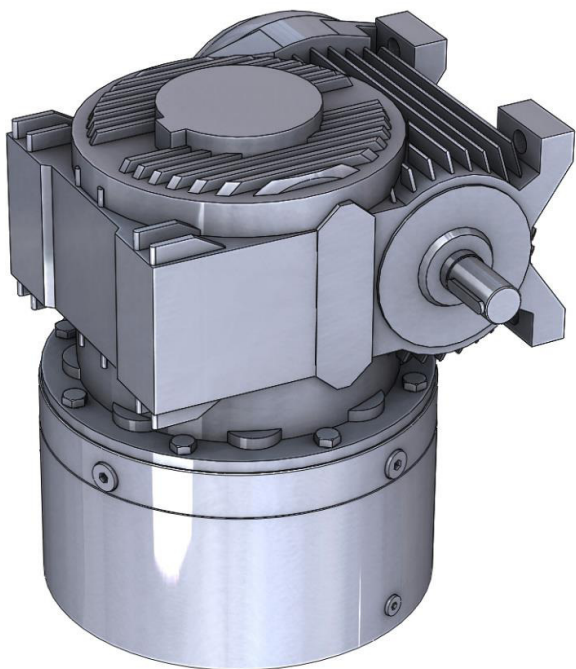




CAVEX[®]

German Drive Technology

High torque in the smallest
space



www.CAVEX-GmbH.com



German Drive Technology

Gearbox data

Ratio	Planetary gearbox $i = 5 - 40$ Worm gearbox $i = 5 - 70$ Maximum total ratio $i = 2800$
Output torque	Up to 200 000 Nm

Examples of applications

Machine and Plant Engineering	<ul style="list-style-type: none">- Feed drives- Rotary actuators- Lifting drives
Construction Industry	<ul style="list-style-type: none">- Asphalt mixing plants- Bitumen mixing plants- Concrete mixing plants
Chemical & Pharmaceutical Industry	<ul style="list-style-type: none">- Agitators- Mixing units
Energy	<ul style="list-style-type: none">- Heat exchanger drives

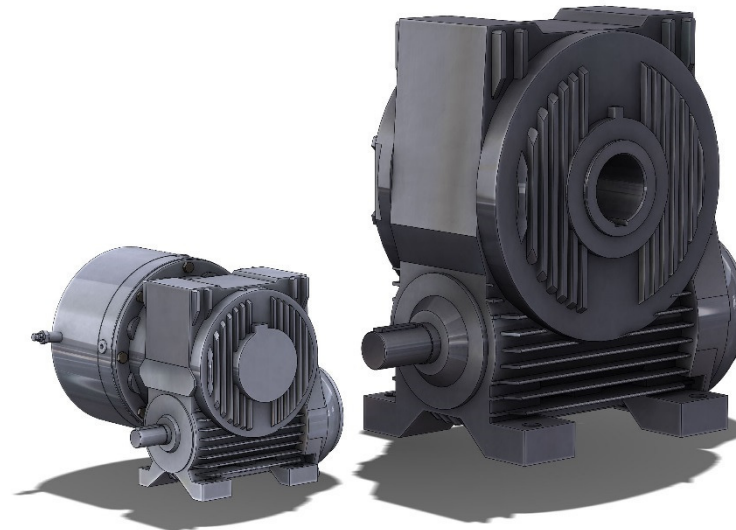
The new CAVEX® planetary gearbox

Input shaft

- Standardly with single side input shaft end
- Options:
 - ➔ Input shaft end on both sides for:
 - Dual motor drive
 - Synchronization of an additional planetary-worm-gearbox
 - Sensors
 - Brakes
 - ➔ Two input shafts
 - ➔ Motor lantern and coupling

Output shaft

- Solid shaft optionally with:
 - Keyway connection
 - Splines outside
- Hollow shaft optionally with:
 - Shrink disc
 - Splines inside



Exemplary comparison:

CAVEX CFA 120 + planetary gearbox ⇔ CFA 280
Same torque with compact design

Mounting options

- Output flange for
 - Machine assembly
 - Console assembly
- Torque arm

CAVEX-planetary-worm-gearbox

- Customized design
- Proven CAVEX®gearing
- Mounting position freely selectable
- Optional in ATEX version
- Compact design

Compact planetary output stage

- In single or dual stage design

Worm gearbox

- Angle gear
- High variance of transmission ratio
- Optionally in self-locking design



Individuelle Getriebelösungen mit CAVEX® planetary

Kompakte Bauweise

Preiswert

Hoher Wirkungsgrad

**Sie wünschen eine individuelle Beratung?
Sprechen Sie uns an!**

**CAVEX GmbH & Co. KG
Tübinger Straße 2
72131 Ofterdingen**

CAVEX®
German Drive Technology

**Tel.: +49 7473 95 546 - 0
Fax: +49 7473 95 546 - 88**

www.CAVEX-GmbH.com